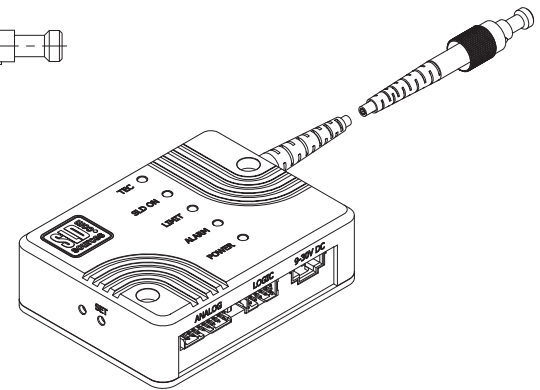
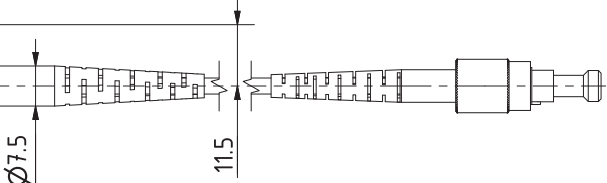
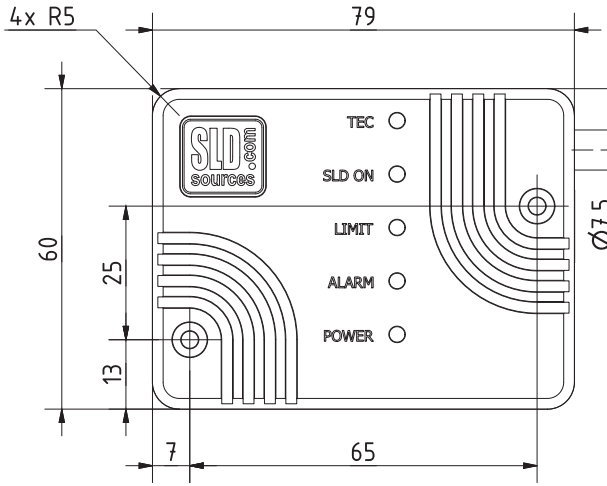
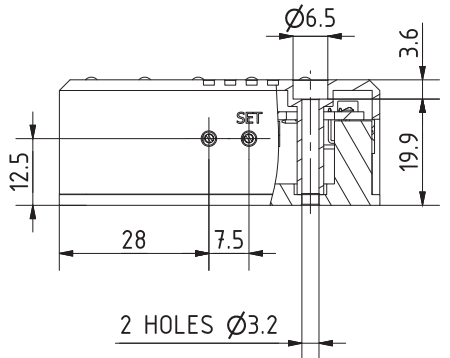
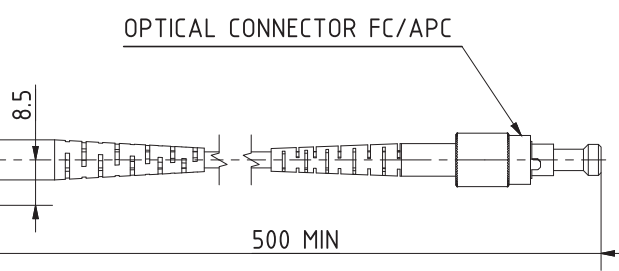
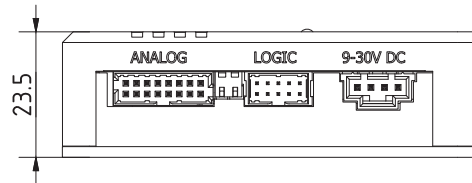
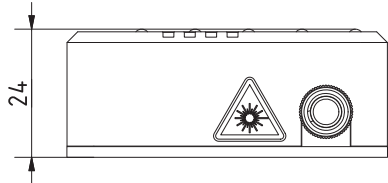


REVISION HISTORY				
ZONE	REV	DESCRIPTION	DATA	APPR



NOTES:
 1. DIMENSIONS ARE IN MILLIMETERS (mm).
 2. WEIGHT - 150 g.

NAME	DATE	MATERIAL	TITLE
DRN	27.04.2024		BROADBAND LIGHT SOURCE OF THE US SERIES
CHD			
APPD		UNSPECIFIED TOLERANCES	IDENTIFICATION NUMBER
SCALE: 1:1	WEIGHT	±0.1	3335.02.US
REV A	SHEET 1	SHEETS 1	DOCUMENT TYPE
			DIMENSIONAL DRAWING

