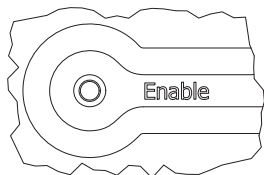
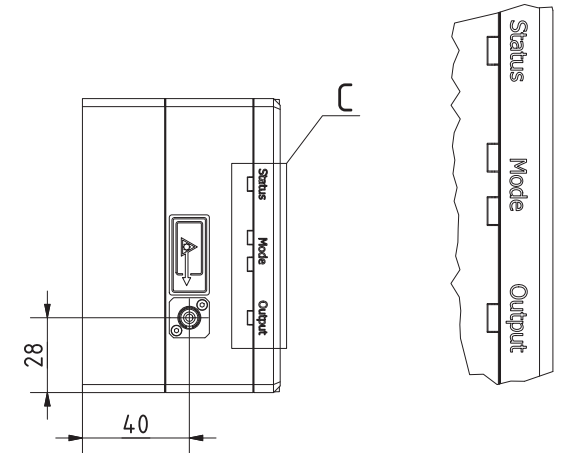
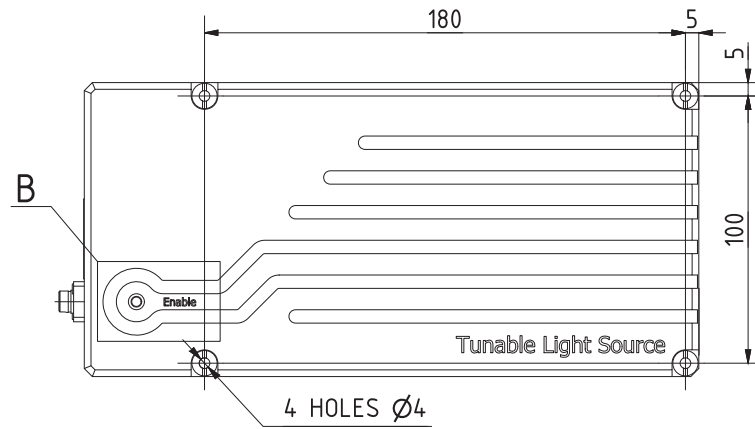
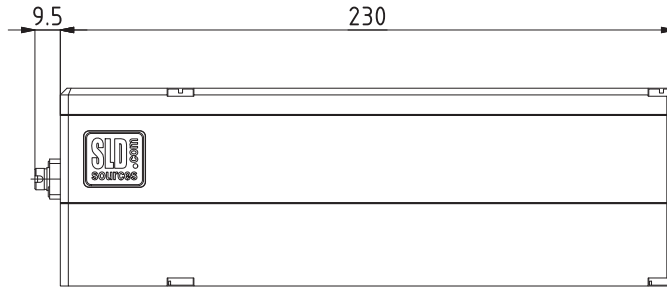


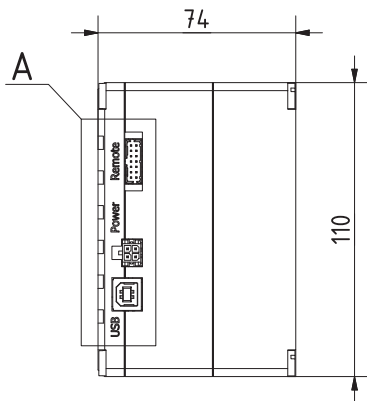
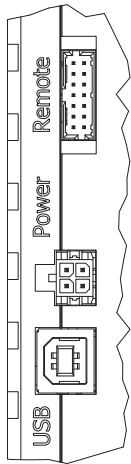
REVISION HISTORY				
ZONE	REV	DESCRIPTION	DATA	APPR



VIEW B  
SCALE ( 1 : 1 )


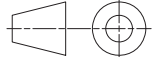


VIEW C  
SCALE ( 1 : 1 )



VIEW A  
SCALE ( 1 : 1 )

- NOTES:  
 1. DIMENSIONS ARE IN MILLIMETERS (mm).  
 2. WEIGHT - 2500 g.

	NAME	DATE	MATERIAL	TITLE	
DRN		27.04.2024		TRCL SERIES LAZER	
CHD					
APPD			UNSPECIFIED TOLERANCES	IDENTIFICATION NUMBER	
SCALE:	WEIGHT		±0.1	3510.10.TRCL	
1 : 2					
REV	SHEET	SHEETS	FINISH	DOCUMENT TYPE	
A	1	1		DIMENSIONAL DRAWING	