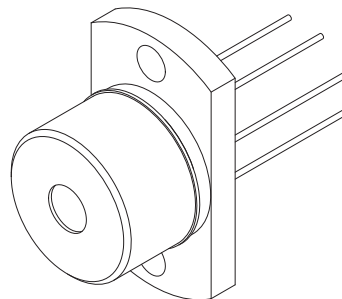
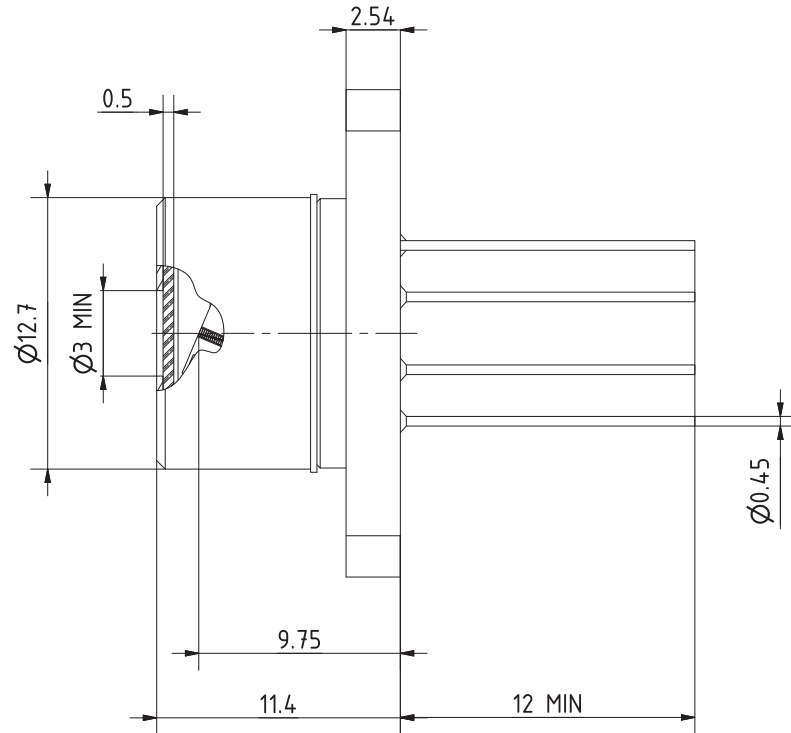
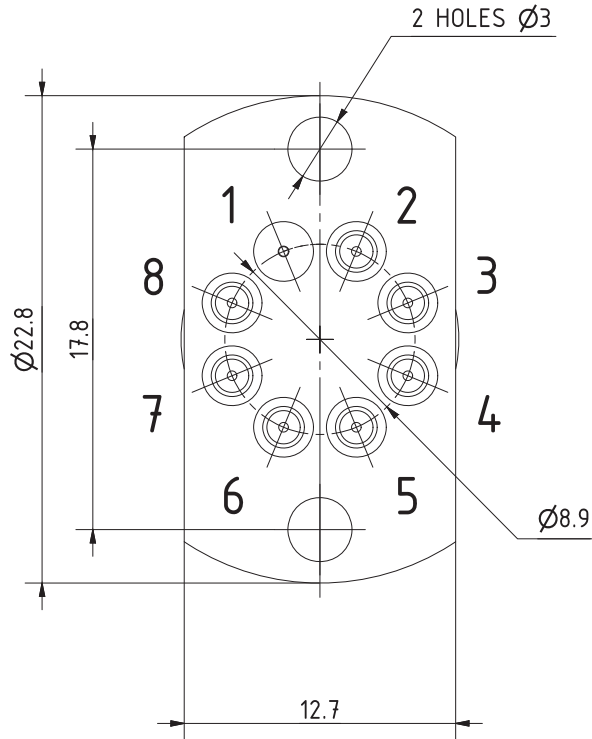


PINOUT	
1	PD ANODE (-) CASE
2	SLD CATHODE (-)
3	TEC CATHODE (-)
4	TEC ANODE (+)
5	SLD ANODE (+)
6	THERMISTOR
7	THERMISTOR
8	PD CATHODE (+)

REVISION HISTORY				
ZONE	REV	DESCRIPTION	DATA	APPR



- NOTES:
- DIMENSIONS ARE IN MILLIMETERS (mm).
  - TOLERANCES: .x ± 0.2 mm.  
.xx ± 0.10 mm.
  - WEIGHT - 8 g.

NAME	DATE	MATERIAL	TITLE		
DRN	27.04.2024	UNSPECIFIED TOLERANCES	TOW PACKAGE		
CHD			IDENTIFICATION NUMBER		
APPD		WEIGHT	2212.00.TOW		
SCALE:	4 : 1		DOCUMENT TYPE		
REV	SHEET	SHEETS	FINISH	DOCUMENT TYPE	FIRST ANGLE PROJECTION
A	1	1		DIMENSIONAL DRAWING AND PINOUT	

