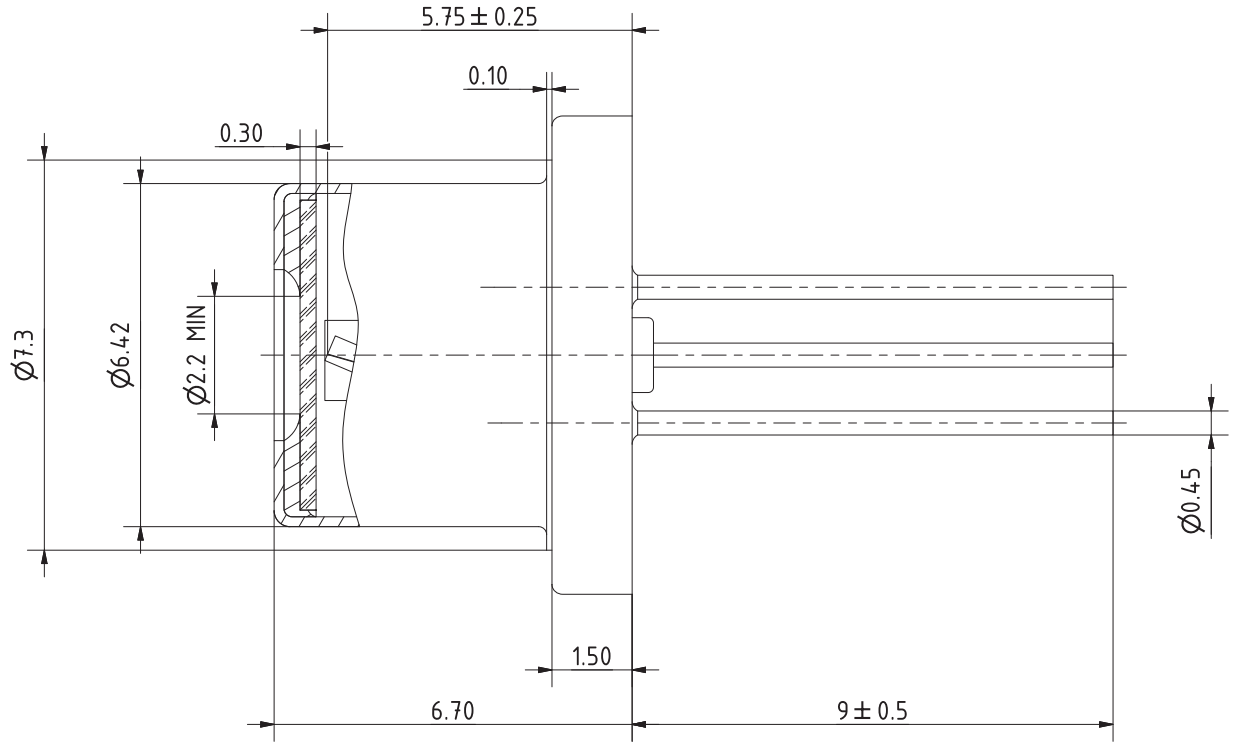
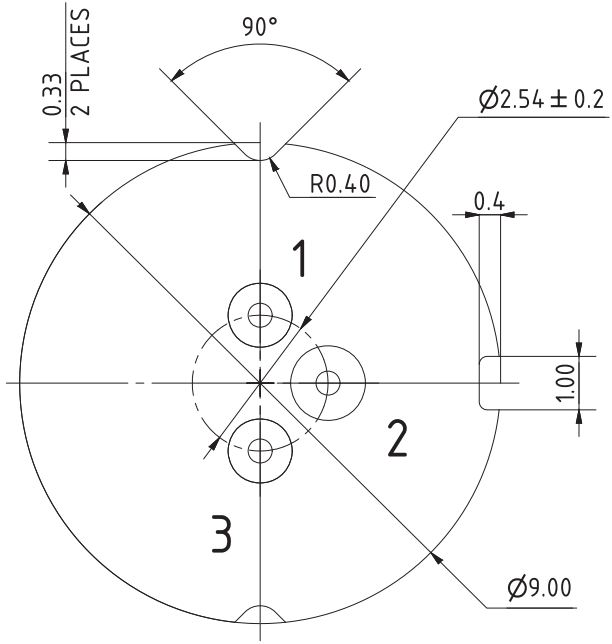



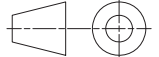
REVISION HISTORY				
ZONE	REV	DESCRIPTION	DATA	APPR



- NOTES:
- DIMENSIONS ARE IN MILLIMETERS (mm).
 - TOLERANCES: .x ± 0.2 mm.
.xx ± 0.10 mm.
 - WEIGHT - 1.5 g.



PINOUT	
1	SLD ANODE (+)
2	COMMON, CASE (-)
3	PD CATHODE (+)

NAME	DATE	MATERIAL	TITLE	
DRN	27.04.2024		TO 9 mm PACKAGE	
CHD			IDENTIFICATION NUMBER	
APPD		UNSPECIFIED TOLERANCES	2221.05.TO	
SCALE:	WEIGHT			
10 : 1				
REV	SHEET	SHEETS	FINISH	DOCUMENT TYPE
A	1	1		DIMENSIONAL DRAWING AND PINOUT