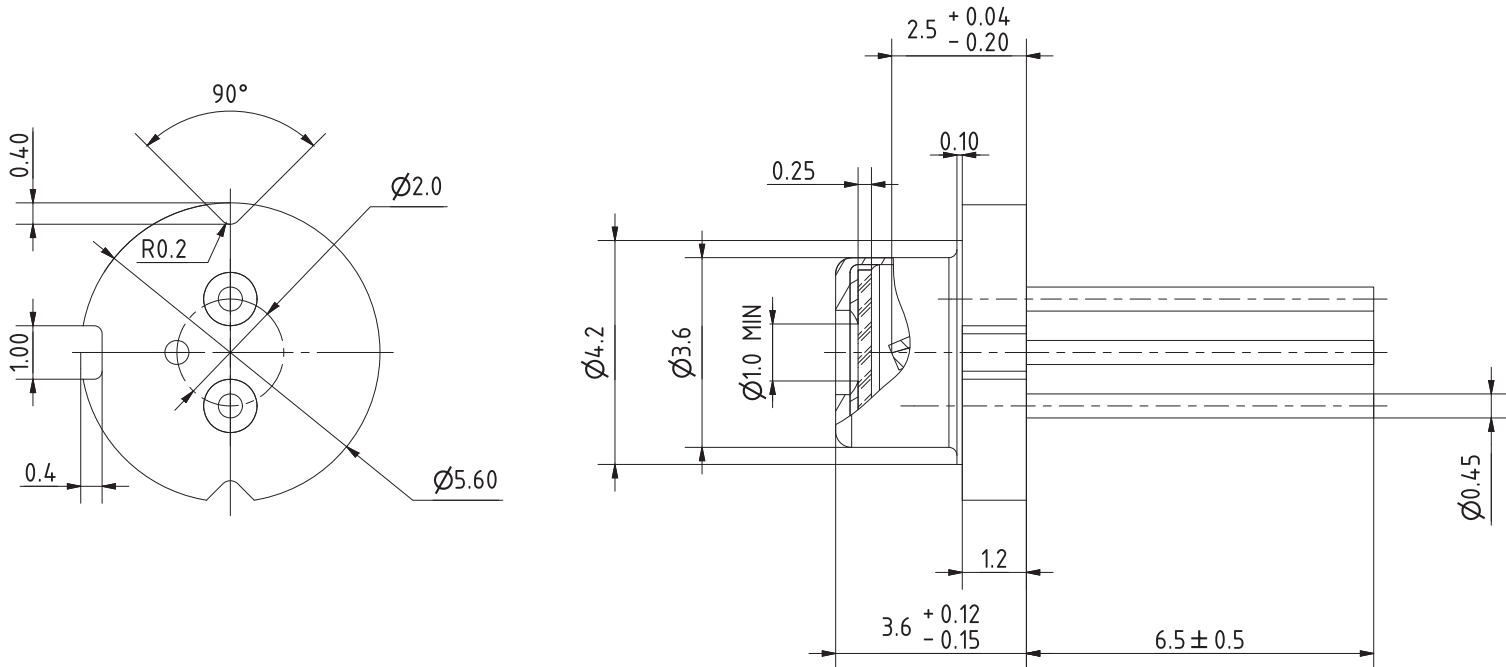
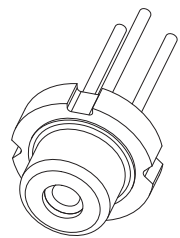




REVISION HISTORY				
ZONE	REV	DESCRIPTION	DATA	APPR



- NOTES:
- DIMENSIONS ARE IN MILLIMETERS (mm).
 - TOLERANCES: .x ± 0.2 mm.
.xx ± 0.10 mm.
 - WEIGHT - 0.5 g.



PINOUT		
PIN.	STANDART	REQUEST ONLY
1	SLD ANODE (+)	SLD CATHODE (-)
2	COMMON, CASE (-)	COMMON, CASE (+)
3	PD CATHODE (+)	PD ANODE (-)

NAME	DATE	MATERIAL	TITLE	
DRN	27.04.2024		TO 5.6 mm PACKAGE	
CHD			IDENTIFICATION NUMBER	
APPD		UNSPECIFIED TOLERANCES	2222.00.TO	
SCALE:	WEIGHT		DOCUMENT TYPE	
10 : 1			DIMENSIONAL DRAWING AND PINOUT	
REV	SHEET	SHEETS	FINISH	
A	1	1		