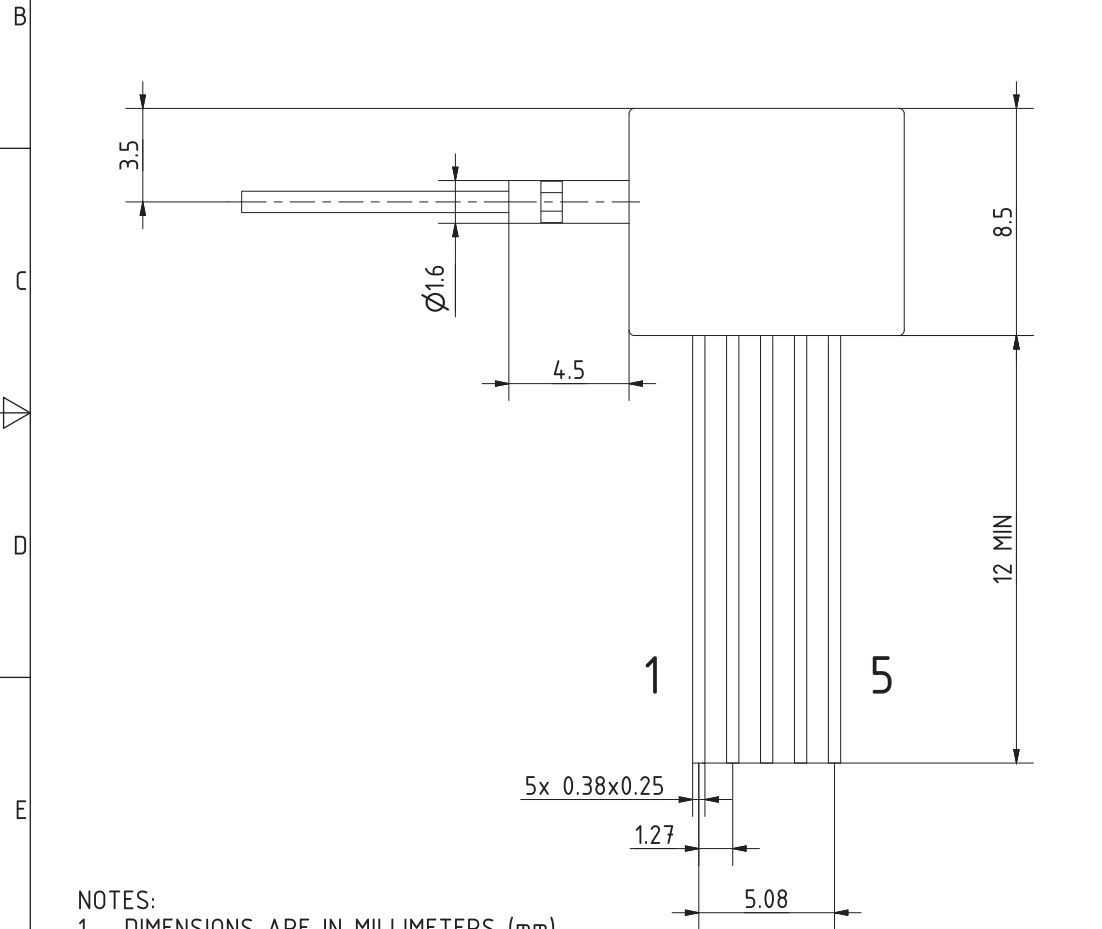
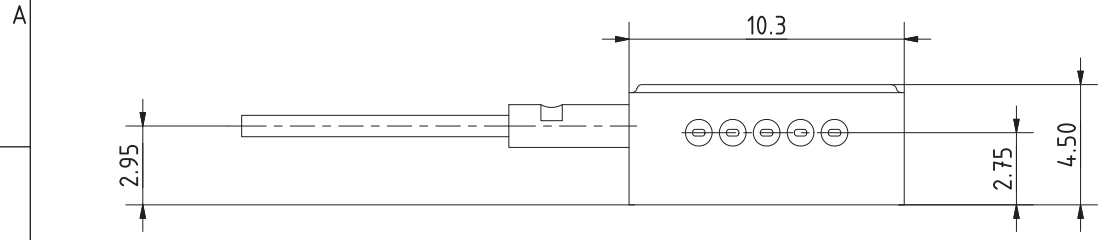
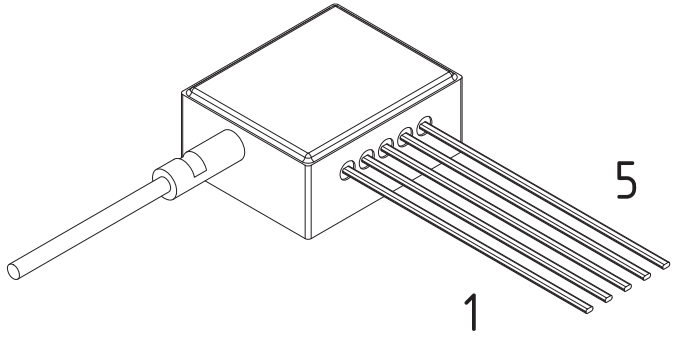


1 2 3 4 5 6 7 8


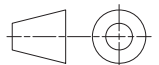
REVISION HISTORY				
ZONE	REV	DESCRIPTION	DATA	APPR



PINOUT	
1	THERMISTOR
2	THERMISTOR
3	SLD ANODE (+)
4	SLD CATHODE (-)
5	PD ANODE (-)
	CASE
	PD CATHODE (+)



- NOTES:
- DIMENSIONS ARE IN MILLIMETERS (mm).
 - TOLERANCES: .x ± 0.2 mm.
.xx ± 0.10 mm.
 - PACKAGE FINAL PLATING: Au 1.27 - 3.81 µm.
 - LID MATERIAL (WITHOUT PLATING): Ni.
 - FIBER LENGTH - (650 to 1000) mm.
 - WEIGHT - 2.5 g.

DRN	NAME	DATE	MATERIAL	TITLE	
CHD		27.04.2024		MINI BUTTERFLY PACKAGE	
APPD			UNSPECIFIED TOLERANCES	IDENTIFICATION NUMBER	
SCALE:	WEIGHT			1113.05.MBT	
5 : 1					
REV	SHEET	SHEETS	FINISH	DOCUMENT TYPE	FIRST ANGLE PROJECTION
A	1	1		DIMENSIONAL DRAWING AND PINOUT	

1 2 3 4 5 6 7 8