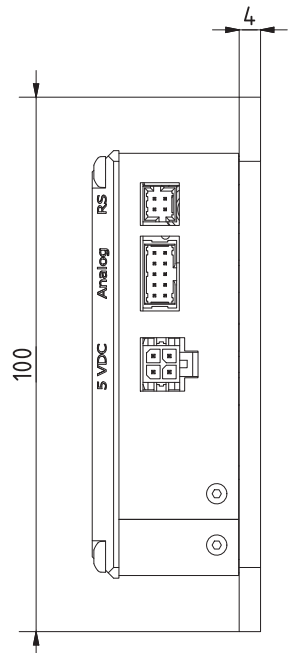
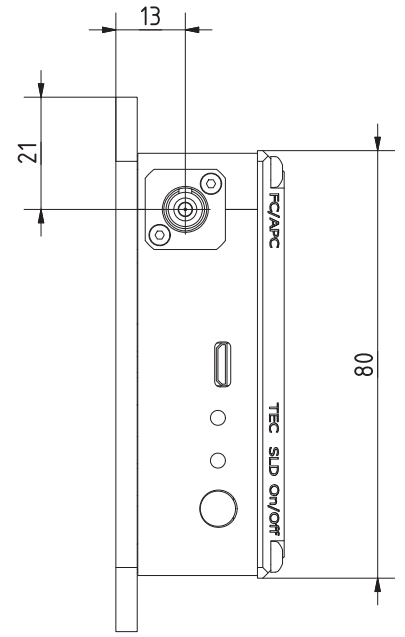
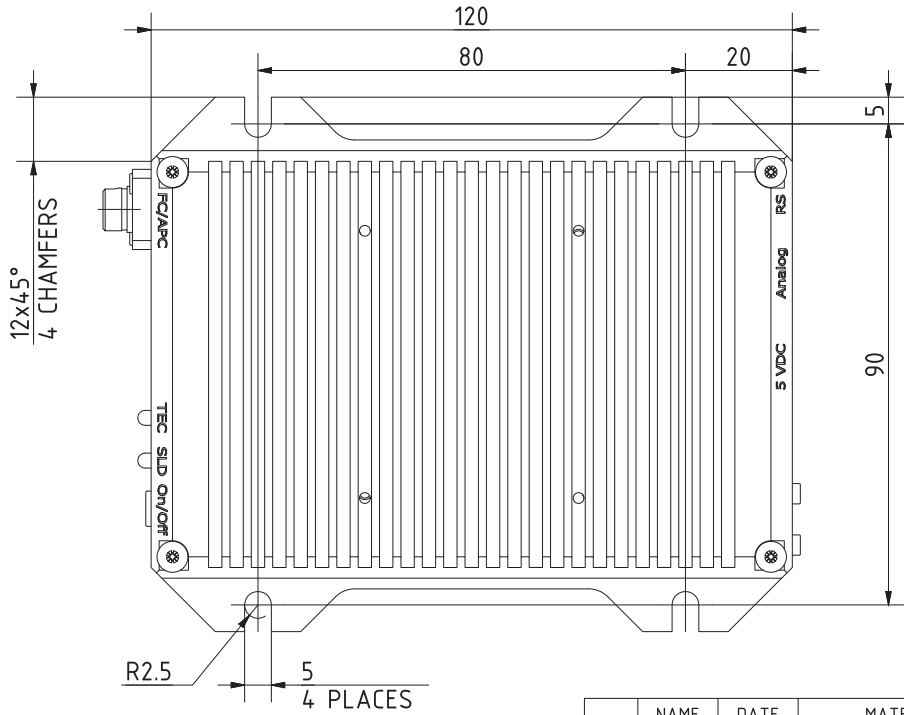
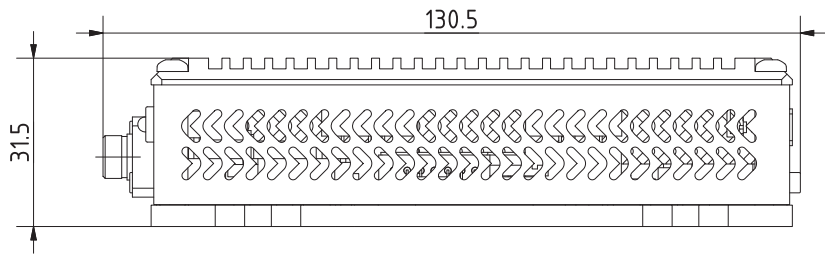



REVISION HISTORY				
ZONE	REV	DESCRIPTION	DATA	APPR



NOTES:  
 1. DIMENSIONS ARE IN MILLIMETERS (mm).  
 2. WEIGHT - 400 g.

NAME	DATE	MATERIAL	TITLE	
DRN	27.04.2024	UNSPECIFIED TOLERANCES	BROADBAND LIGHT SOURCE OF THE DD SERIES	
CHD			IDENTIFICATION NUMBER	
APPD		±0.1	3326.01.DD	
SCALE: 1:1	WEIGHT	FINISH	DOCUMENT TYPE	FIRST ANGLE PROJECTION
REV A	SHEET 1	SHEETS 1	DIMENSIONAL DRAWING	