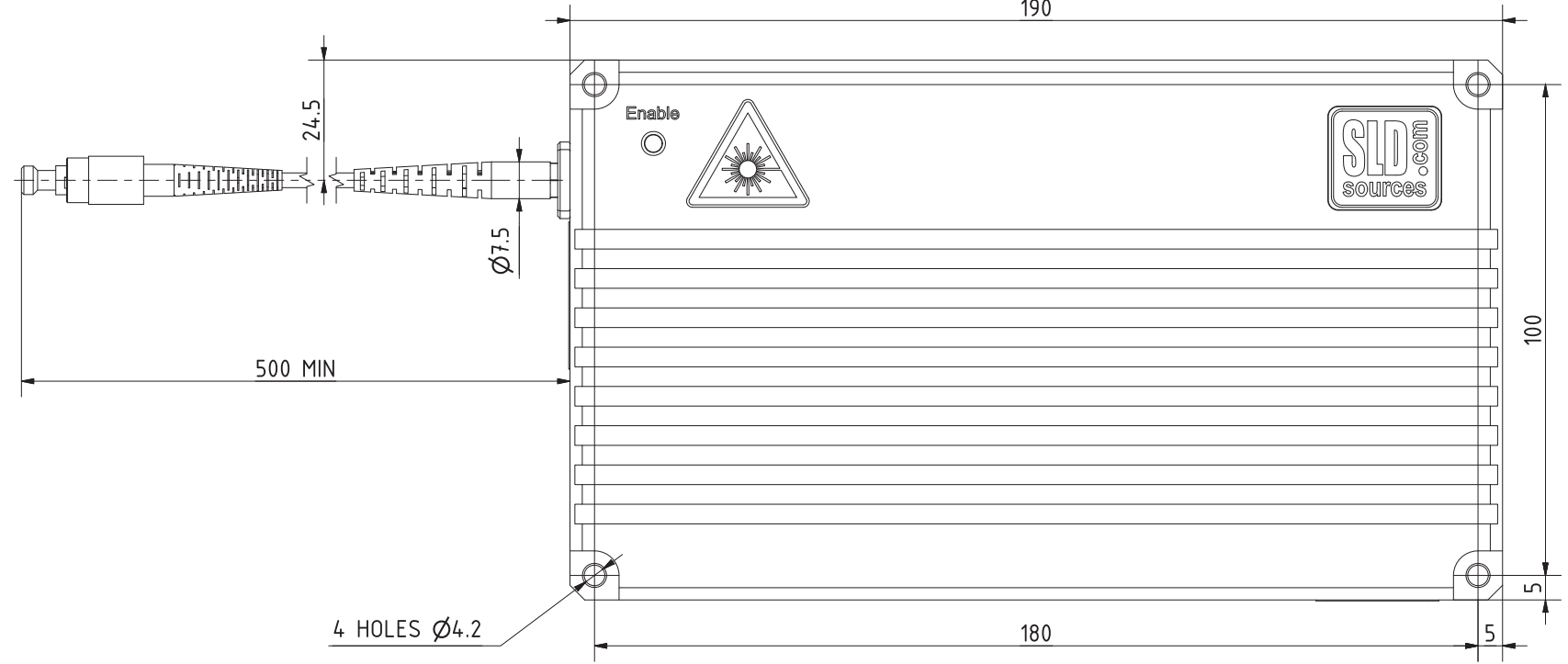
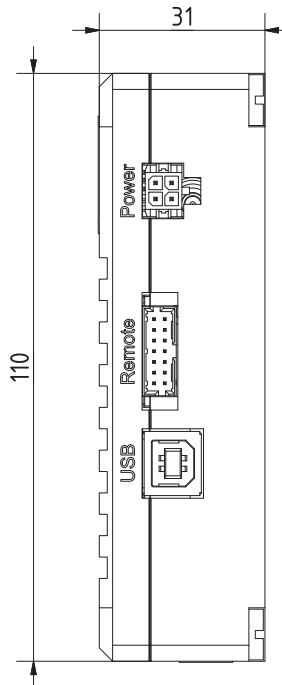
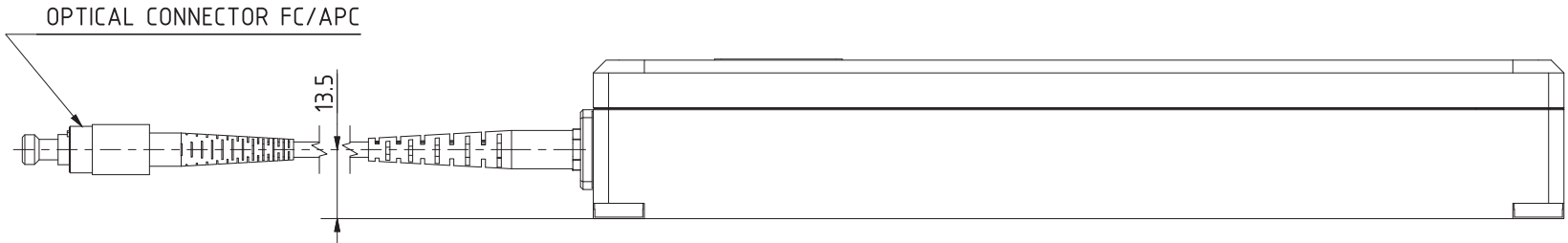



REVISION HISTORY				
ZONE	REV	DESCRIPTION	DATA	APPR



NOTES:
 1. DIMENSIONS ARE IN MILLIMETERS (mm).
 2. WEIGHT: WITHOUT AN OPTICAL ISOLATOR - 800 g.
 WITH OPTICAL ISOLATOR - 1100 g.

NAME	DATE	MATERIAL	TITLE		
DRN	27.04.2024		BROADBAND LIGHT SOURCE OF THE CD SERIES		
APPD		UNSPECIFIED TOLERANCES	IDENTIFICATION NUMBER		
SCALE: 1:1	WEIGHT	±0.1	3328.00.CD		
REV A	SHEET 1	SHEETS 1	FINISH	DOCUMENT TYPE	
				DIMENSIONAL DRAWING	FIRST ANGLE PROJECTION

