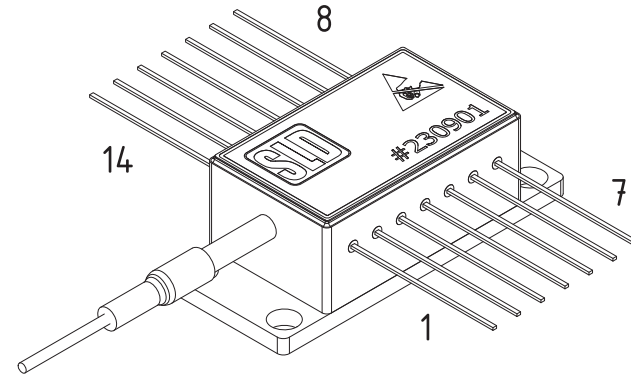



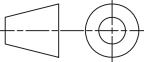
NOTES:

1. DIMENSIONS ARE IN MILLIMETERS (mm).
2. TOLERANCES: .x ± 0.2 mm.
.xx ± 0.10 mm.
3. PACKAGE FINAL PLATING: Au 1.27 - 3.81 µm.
4. LID MATERIAL (WITHOUT PLATING): Ni.
5. FIBER LENGTH - (650 to 1000) mm.
6. WEIGHT - 15 g.

REVISION HISTORY				
ZONE	REV	DESCRIPTION	DATA	APPR



PINOUT	
1	TEC ANODE (+)
2	THERMISTOR
3	PD ANODE (-)
4	PD CATHODE (+)
5	THERMISTOR
6	N/C
7	N/C
8	N/C
9	N/C
10	SLD ANODE (+)
11	SLD CATHODE (-)
12	N/C
13	CASE
14	TEC CATHODE (-)

NAME	DATE	MATERIAL	TITLE	
DRN	27.04.2024		BUTTERFLY PACKAGE	
CHD				
APPD		UNSPECIFIED TOLERANCES	IDENTIFICATION NUMBER	
SCALE:	WEIGHT		1112.02.BTF	
2.5 : 1				
REV	SHEET	SHEETS	FINISH	
A	1	1		DIMENSIONAL DRAWING AND PINOUT