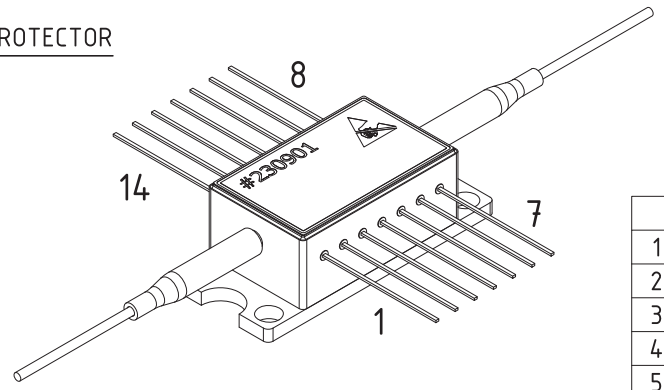
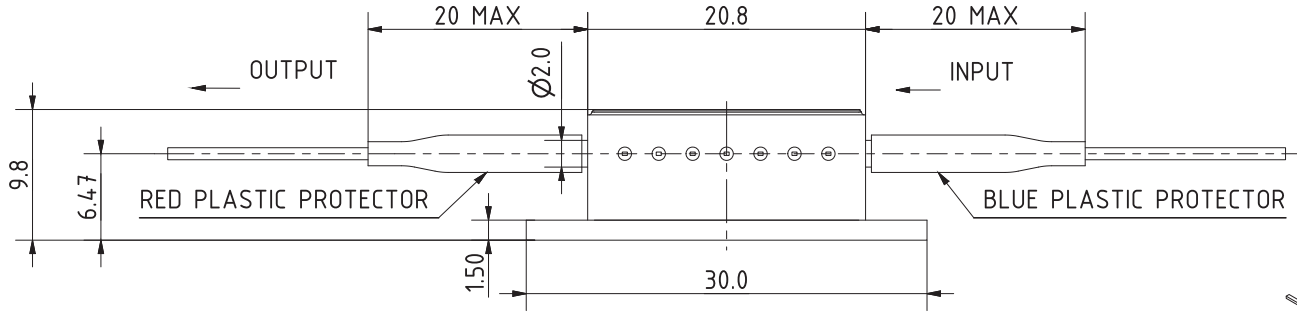
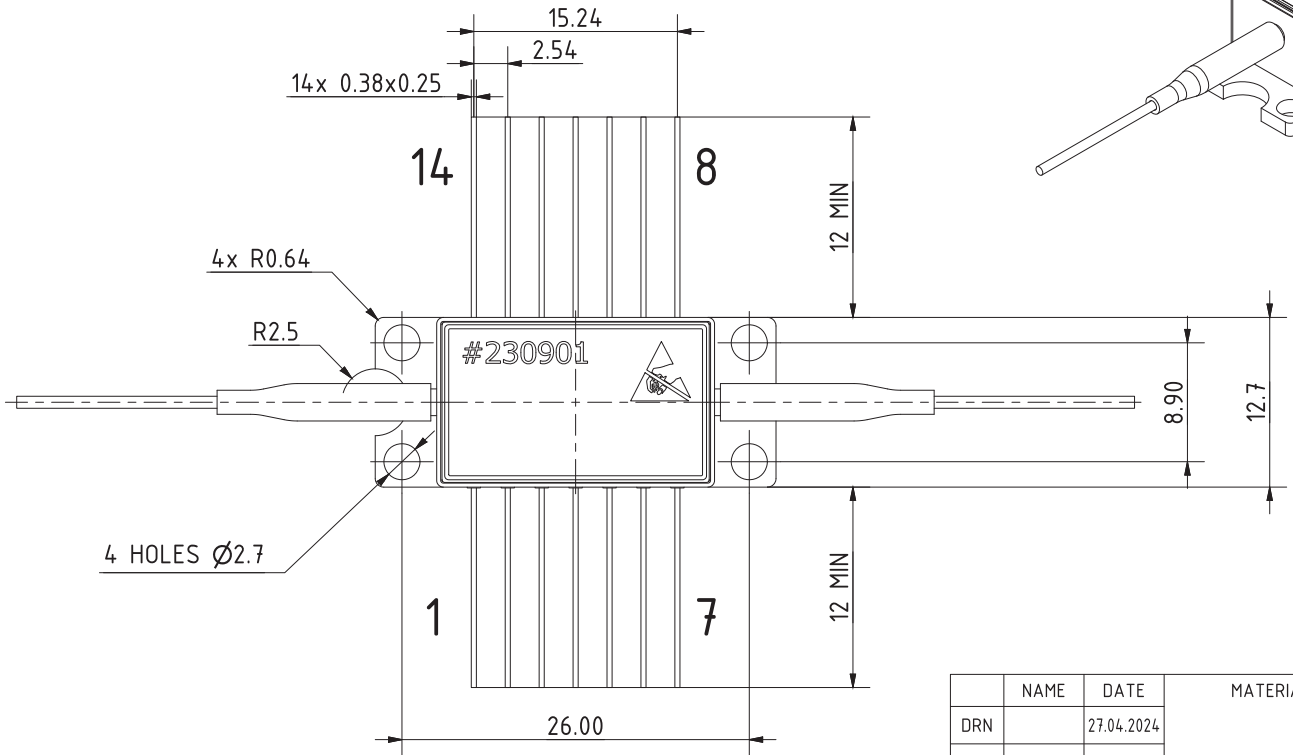



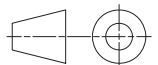
REVISION HISTORY				
ZONE	REV	DESCRIPTION	DATA	APPR



PINOUT	
1	TEC ANODE (+)
2	THERMISTOR
3	PD ANODE (-)
4	PD CATHODE (+)
5	THERMISTOR
6	N/C
7	N/C
8	N/C
9	N/C
10	SLD ANODE (+)
11	SLD CATHODE (-)
12	N/C
13	CASE
14	TEC CATHODE (-)



- NOTES:
- DIMENSIONS ARE IN MILLIMETERS (mm).
 - TOLERANCES: .x ± 0.2 mm.
.xx ± 0.10 mm.
 - PACKAGE FINAL PLATING: Au 1.27 - 3.81 µm.
 - LID MATERIAL (WITHOUT PLATING): Ni.
 - FIBER LENGTH - (650 to 1000) mm.
 - WEIGHT - 17 g.

NAME	DATE	MATERIAL	TITLE	
DRN	27.04.2024		BUTTERFLY PACKAGE (FOR SOAs)	
CHD			IDENTIFICATION NUMBER	
APPD		UNSPECIFIED TOLERANCES	1112.05.BTF	
SCALE:	WEIGHT		DOCUMENT TYPE	
2.5 : 1			DIMENSIONAL DRAWING AND PINOUT	
REV	SHEET	SHEETS	FINISH	
A	1	1		