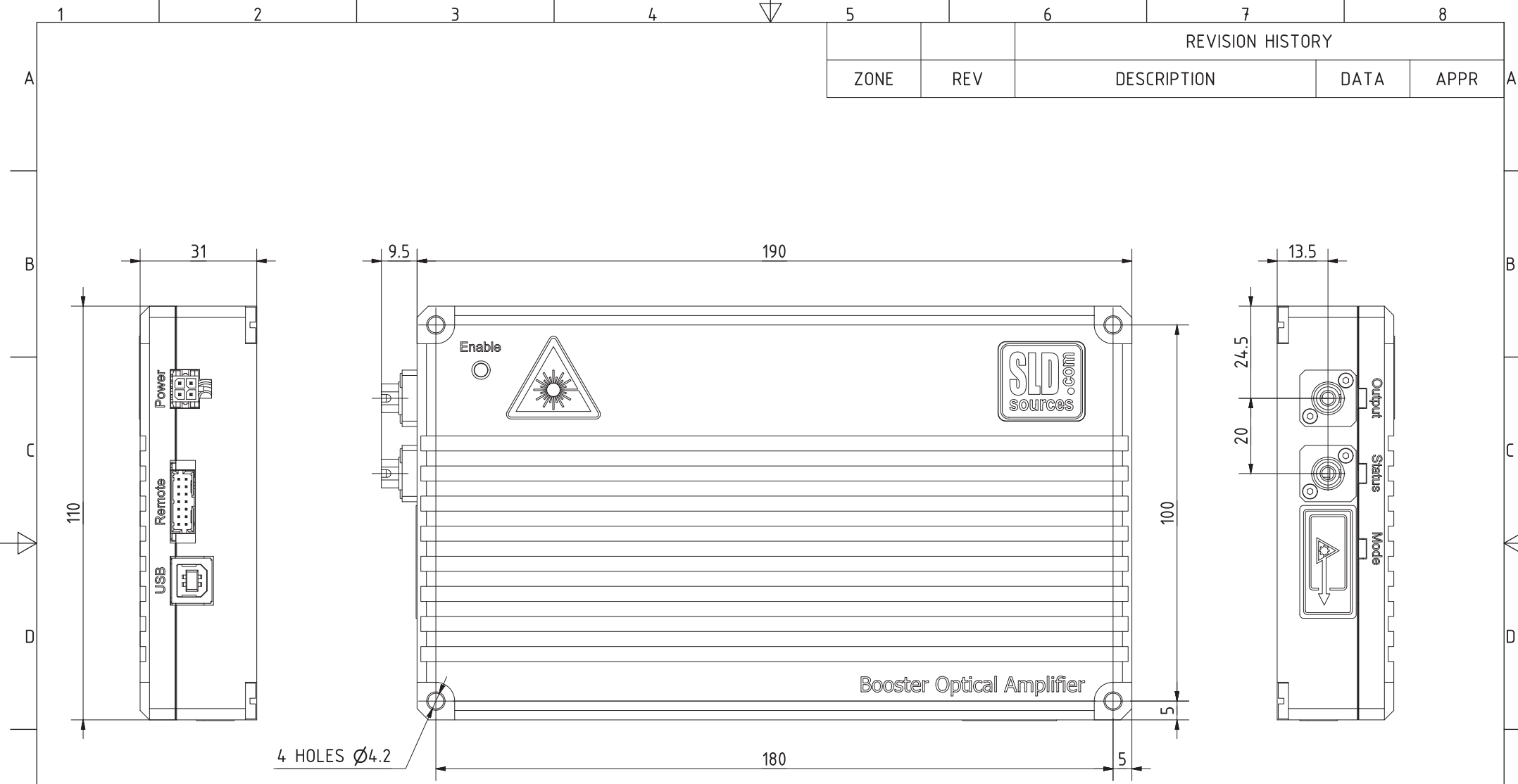

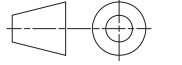


REVISION HISTORY				
ZONE	REV	DESCRIPTION	DATA	APPR



NOTES:  
 1. DIMENSIONS ARE IN MILLIMETERS (mm).  
 2. WEIGHT - 1000 g.

	NAME	DATE	MATERIAL	TITLE	
DRN		27.04.2024		BST SERIES BOOSTER UNIT	
CHD				IDENTIFICATION NUMBER	
APPD			UNSPECIFIED TOLERANCES	3232.06.BST	
SCALE:	1 : 1	WEIGHT	±0.1	DOCUMENT TYPE	
REV	A	SHEET	1	DIMENSIONAL DRAWING	
		SHEETS	1		